

V2013NC V235·NC·FNC

VERTICAL MITRE SAWS

IP300FS

PRECISION MITRE SAW SPECIALLY CONCEIVED FOR
PICTURE FRAMES CUTTING.

WOOD be nice.

OMGA



V2013 NC V235 NC

VERTICAL MITRE SAWS
AUTOMATIC CUTTING SYSTEM FOR
WOOD, PVC AND ALUMINUM PROFILES.

The model **V2013NC** has variable angle enabling the system to produce square, rectangular, hexagonal and octagonal frames. The model **V235NC** is suitable for the production of square and rectangular frames only having the two saw blades fixed at 90°. A programmable NC controller with an 8" monitor allows for a real time display of all messages useful to the operator as well as the graphical representation of the different production steps. The onboard computer also counts with a 3 1/2" disk drive to facilitate the storage of production programs.

The proprietary software allows for maximum yield by optimizing the length of each moulding based on the cutting program. The hopper feeder can be chosen between vertical and horizontal to accommodate any type, shape and length of profile. On the outfeed of the machine, it is possible to include a transport belt with photocell driven kicker to safely unload the mitered pieces. In this combination the systems become fully automatic from the loading of the moulding to the unloading of the finished components of the frames, with no intervention of the operator. New batches of mouldings can be inserted inside the hopper feeder without stopping the cutting cycle. The whole line is available in **CE** version where the machines are equipped with all the devices indicated by this regulation.



V235NC



V2013NC



* A

Vertical hopper feeder for mouldings up to:
3000 mm (3B*) - 4000 mm (4B*)
5000 mm (5B*) - 6000 mm (6B*)
(B*) = supporting arms

* B

Horizontal hopper feeder with 2000 mm transfer arm
for mouldings up to: 3000 mm (3B*) - 4000 mm (4B*)
- 5000 mm (5B*) - 6000 mm (6B*)
(B*) = supporting arms

OPTIONAL

Additional transfer arm for horizontal
hopper feeder **2000 mm**

Extra for **ALU** version

Additional arm for hopper feeder

Extra for increased feed stroke **1800 mm**



Unloading belt with kicker
1000 x 100 mm / 2000 x 100 mm



Sorting unit with photocell c/w 3
kickers **3000 x 100 mm**



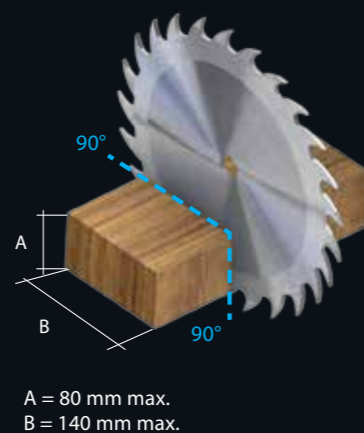
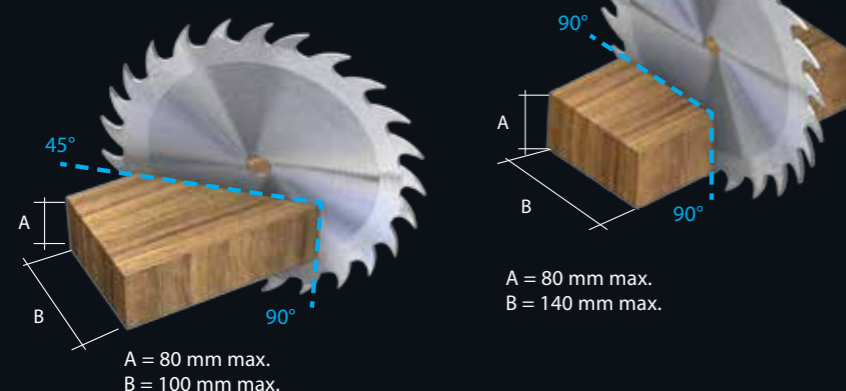
Pneumatic transfer conveyor belt
2000 x 600 mm



1P300 FS

PRECISION MITRE SAW SPECIALLY CONCEIVED FOR PICTURE FRAMES CUTTING.

Turning table with self locking in the main angles 45°, 30° 22'30" 15", right and left and 0°.
Manual locking of intermediate angle positions.
Direct drive motor.
Set of scaled tables 350 mm right and left.
Motor brake.
Locking in rest position.



Ball bearing on rotation of table for easy and smooth angle positioning.



Ball bearing on swinging of saw arm for smooth and steady cutting action.



1 Set of scaled tables extensions 1100 mm right and left.
Set of supports for scaled tables.



2 Set of two foot operated mechanical clamps at 45°.



3 Quick swivelling of the table.

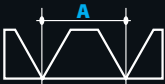

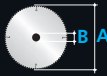







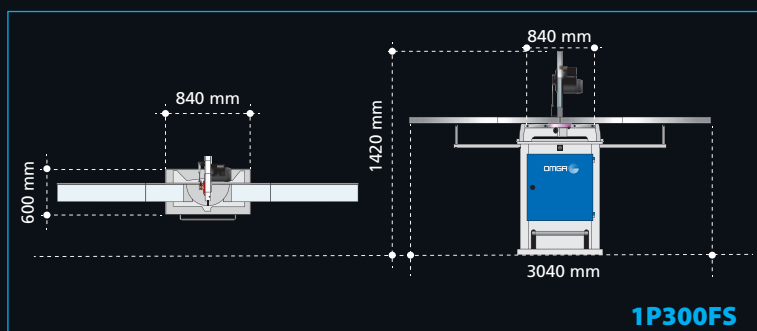
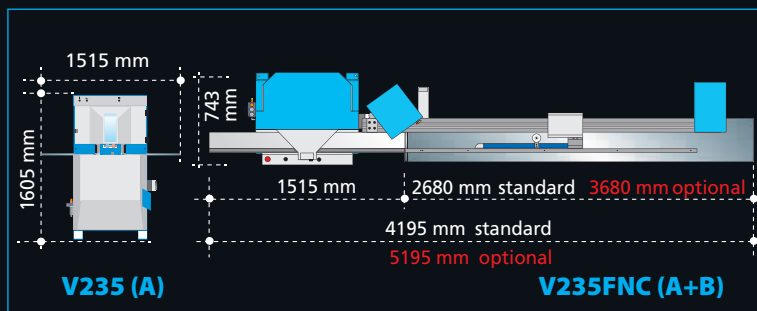
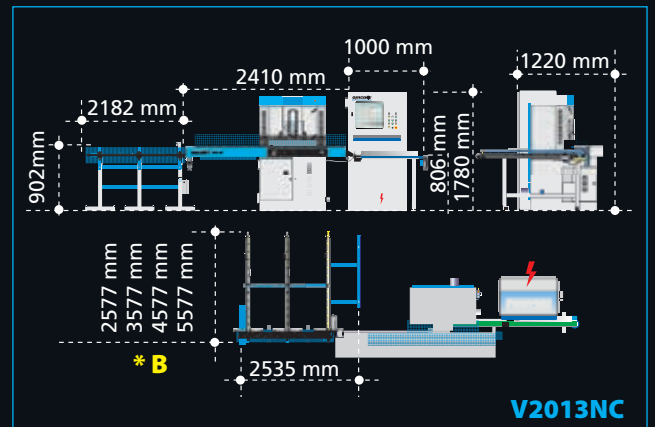
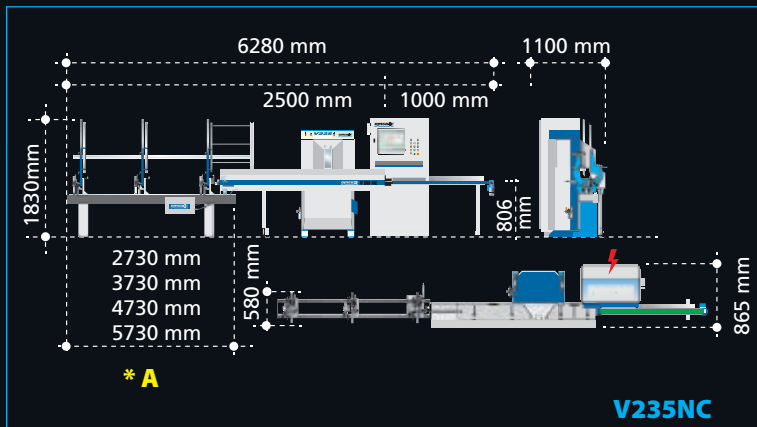
4 45° plexi flip-over stop.




5 Dust collecting cabinet.

OPTIONAL

| | V2013NC | V235NC | V235 | V235FNC | 1P300FS | |
|---|-----------------|--|--|---------------------------|--------------------------------------|---------------------------|
|  | mm | A = 1250 max | A = 1200 max | - | A = 2000 max (3000 optional) | |
|  | mm | A = 60 max B = 60 max | A = 90 max B = 70 max | A = 90 max B = 80 max | A = 90 max B = 80 max | A = 80 max B = 100 max |
|  | mm RPM | A = 300 B = 30 3000 | A = 350 B = 30 3700 | A = 350 B = 30 3000 | A = 350 B = 30 3000 | A = 300 B = 30 3000 |
|  | kW | n° 2 x 2,2 | n° 2 x 1,5 | n° 2 x 1,5 | n° 2 x 1,5 n° 1 x 1,0 | 1,2 |
|  | ∅ mm | 1 x 80 1 x 120 | 2 x 80 | 2 x 80 | 2 x 80 | 60 |
|  | bar NI/" | 6 ÷ 7 485 | 6 ÷ 7 347 | 6 ÷ 7 188 | 6 ÷ 7 188 | |
|  | N (newton) | 1300 1700 | 9500 13500 | 2940 3432 | 4100 4600 | 957 1140 |
|  | L x W x H mm | 2600x1850x1900 * A 2730x580x1830 | 2750x1750x1900 * A 2730x580x1830 | 883x1600x1700 | 883x1600x1700 * B 500x3000x260 | 730x910x1500 |



 2900204558.02

OMGA, Inc.

3705 William Richardson Drive
South Bend, IN 46628
USA
Tel.: +1 (574) 243-0120
Fax: +1 (574) 243-0216
Toll Free: 1-800-233-OMGA (6642)
E-mail: info@omgainc.com

WWW.OMGAINC.COM

